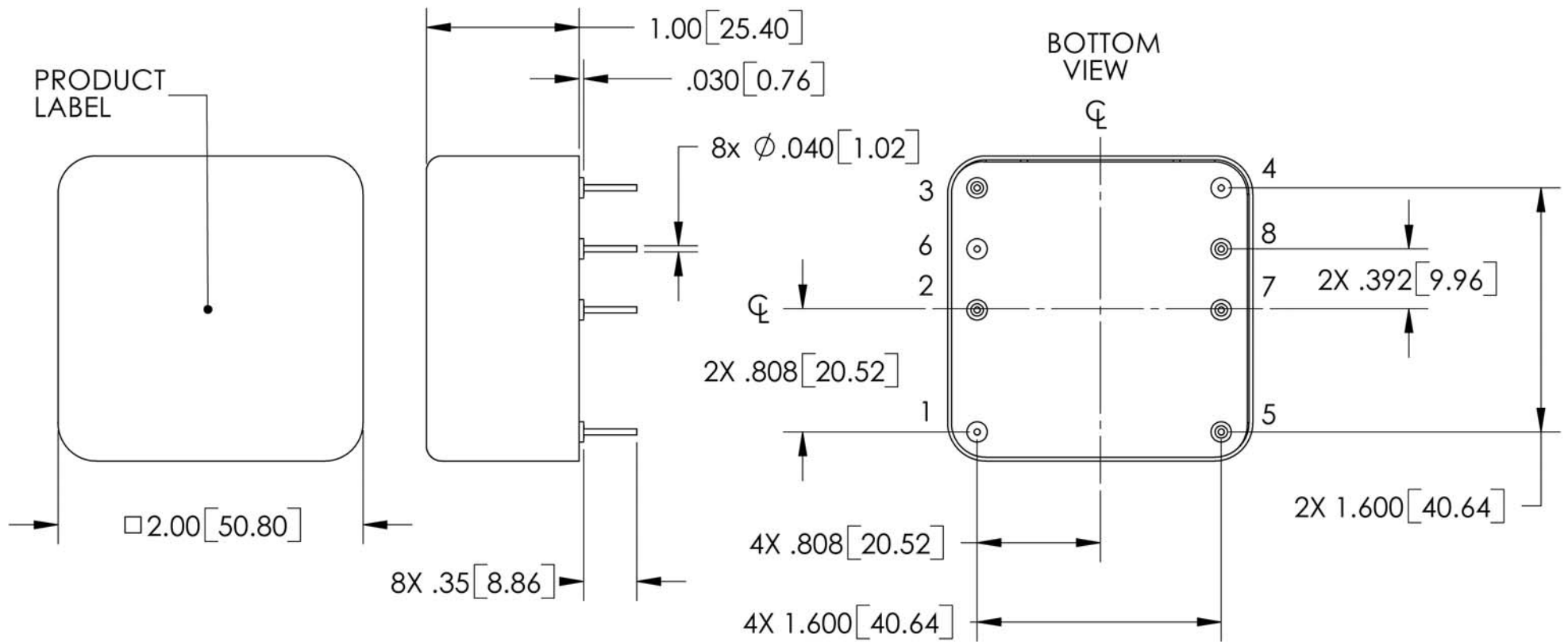



PIN ASSIGNMENT	
NUM	FUNCTION
1	OSCILLATOR SUPPLY, VCC1
2	NO CONNECTION
3	RF OUT
4	CASE / OVEN GROUND
5	OVEN SUPPLY, VCC2
6	CASE / OSCILLATOR GROUND
7	SDA
8	SCL

REVISIONS		
REV.	DESCRIPTION	DATE
A	INITIAL RELEASE	09/05/2013



DIMENSIONS IN INCHES [MM] UNLESS SPECIFIED				DFT	AAG	DATE	 MTI MILLIREN TECHNOLOGIES, INC.
TOLERANCES UNLESS SPECIFIED				REV		09/25/2006	
XX DECIMALS	XXX DECIMALS	FRACTIONS	ANGLES	CHK			
± 0.015	± 0.010	$\pm 1/64$	$\pm 1^\circ$	ENG			
<small>CONFIDENTIAL PROPERTY OF MTI-MILLIREN TECHNOLOGIES, INC. (NEWBURYPORT, MA) WARNING: THE INFORMATION CONTAINED HEREIN CONSTITUTES CONFIDENTIAL BUSINESS INFORMATION AND/OR TRADE SECRETS OF MTI-MILLIREN TECHNOLOGIES, INC. THE UNAUTHORIZED ACCESS AND/OR USE OF ANY OF THE ENCLOSED INFORMATION IS STRICTLY FORBIDDEN AND IS SUBJECT TO CIVIL AND CRIMINAL LIABILITY. © MTI-MILLIREN TECHNOLOGIES, INC.</small>				MFG			
				QA			TITLE
							INTERFACE CONTROL DRAWING
				SIZE	A	DWG #	010261-0579
				SCALE	1:1	REV	A
							SHEET
							1 OF 1